

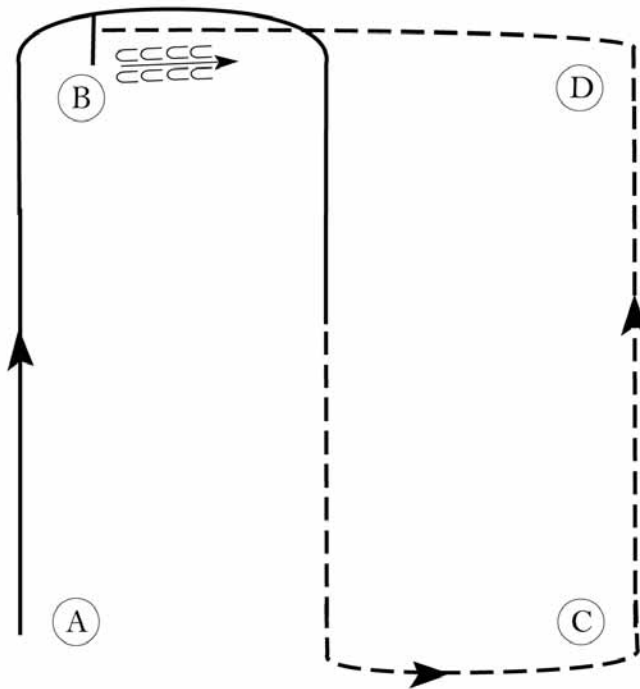
Missoula County 4-H Fair Horse Show

English Horsemanship (Level 4)

Show Date: July 31 & August 1

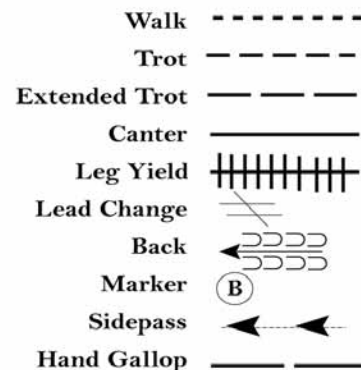
w w w . H o r s e S h o w P a t t e r n s . c o m

w w w . H o r s e S h o w P a t t e r n s . c o m



Be ready at A.

1. Canter on the right lead to and around B.
2. Halfway between B and C, break to the trot.
3. Posting trot on the right diagonal to C.
5. At C, change diagonals and continue to trot to D.
6. At D, sitting trot to B.
7. At B, stop and back one horse length.



[HSE/1-25]

Pattern Provided by:

Missoula County 4-H Horse Council

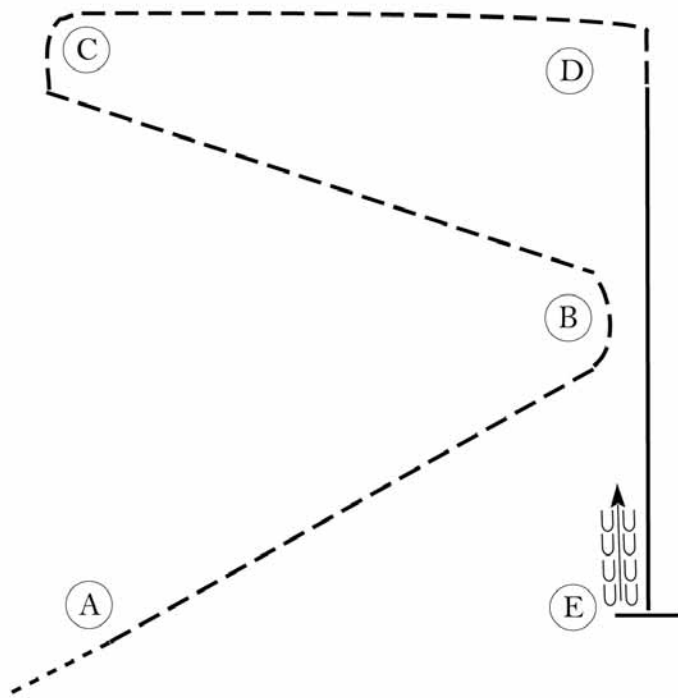
Missoula County 4-H Fair Horse Show

English Horsemanship (Level 4)

Show Date: July 31 & August 1

w w w . H o r s e S h o w P a t t e r n s . c o m

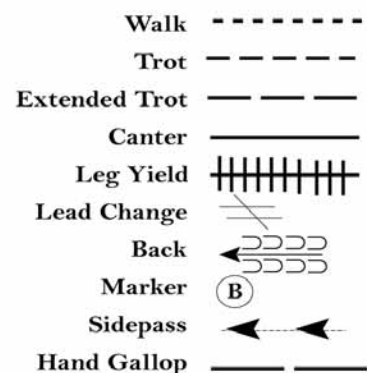
w w w . H o r s e S h o w P a t t e r n s . c o m



Be ready before A.

1. Walk to A.
2. Trot on the left diagonal from A to B, then change diagonals.
3. Trot on the right diagonal from B to C.
4. Sitting trot from C to D.
5. Canter on the right lead from D to E.
6. Stop at E and back approximately one horse length.

Walk to exit or follow instructions of your ring steward.



[HSE/1-33]

Pattern Provided by:

Missoula County 4-H Horse Council

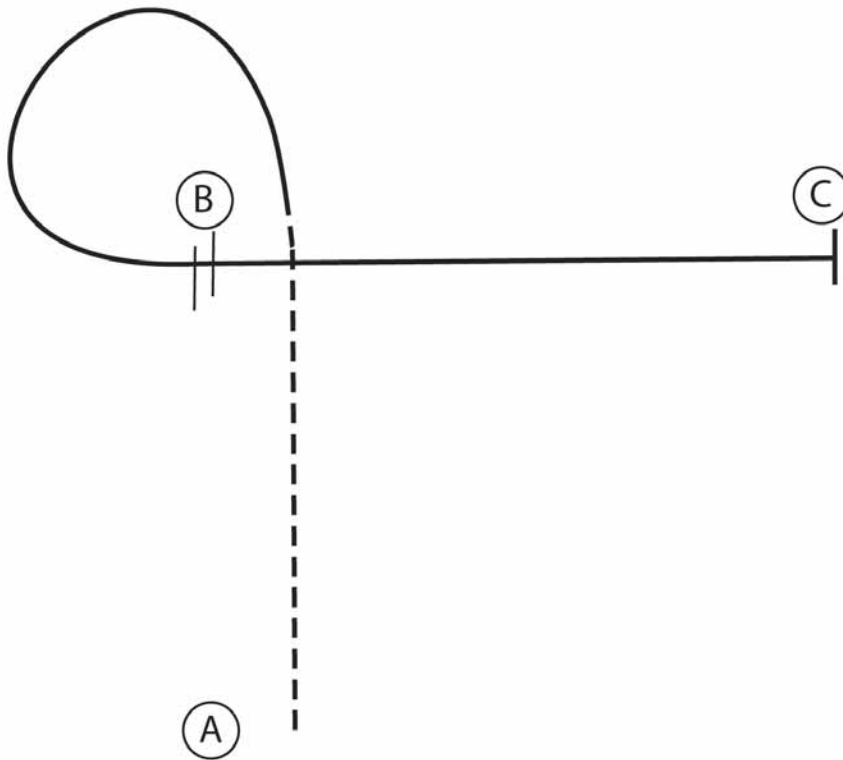
Missoula County 4-H Fair Horse Show

English Horsemanship (Level 4)

Show Date: July 31 & August 1

w w w . H o r s e S h o w P a t t e r n s . c o m

w w w . H o r s e S h o w P a t t e r n s . c o m



1. Posting trot A to B on the right diagonal
2. At B canter on the left lead around B
3. Perform a lead change at B and continue to C
4. Stop at C

Walk
Trot	-----
Extended Trot	-----
Canter	—————
Leg Yield	
Lead Change	↙ ↘
Back	← ← ← ← ← ← ← ← ← ←
Marker	⊙ B
Sidepass	← ← ← ← ← ← ← ← ← ←

[HSE/1-8]

Pattern Provided by:

Missoula County 4-H Horse Council